

ENGLISH

More informations at:
<http://service.admonter.at>



ASSEMBLY INSTRUCTIONS

GALLERIA





GENERAL PRECONDITIONS

Admonter "GALLERIA" - wall elements should basically only be installed after all other handcraft has been completed. Any flooring that has already been laid must be protected by covering it carefully. Even when using a mallet or hammer one must be careful to assure that no damage is inflicted on the element. Avoid direct contact with metals on visible parts of the elements in order to prevent any chemical reactions from occurring. Only install indoors in dry areas. Assembly by trained personnel only.

CLIMATE PRECONDITIONS

Prior to installation the elements must be acclimated, however the packaging still needs to be opened only immediately prior to assembly. In general, you should avoid moisture (danger of spotting, blistering). Make sure that you have the right climate conditions in the room (40 – 60% rel. humidity – see also Admonter comfort diagram).

Admonter Galleria can also be used in combination with wall heating systems. A surface temperature of 29° Celsius may not be exceeded by either the water heater systems nor by the electrical heating systems. Avoid heat build-up caused by covering materials (tapestries, large format pictures, ...). In case of doubt, wall heating systems must be baked out prior to the installation of Admonter Galleria in accord with the heating protocol.

Possible mounting variants must be discussed with the manufacturer of the wall heating system. The climate conditions must assure that the substructure is constantly dry from the very outset and that even temporary accumulation of condensate (cold exterior walls, wall cooling systems) are avoided.

NATURAL PROPERTIES

Natural products change colour depending on the intensity of their sun exposure. Light woods become darker and dark woods become lighter. This effect is particularly noticeable in the first 3-6 months. Wood-specific and colour changes cannot be completely prevented.

Please note that each type of wood reacts differently to changes in the climate. This can result in a slight longitudinal warping of the Galleria-Elements which however does not affect their suitability for use if they are correctly installed. Suitable mounting hardware, both in dimensions and number, must be selected.

CLEANING & CARE

Cleaning and care must be done when the product is completely dry (vacuum with soft brush). In the case of variants with an oiled surface, any adhered dirt can be removed using suitable cleaning products and as slightly damp mop. Avoid abrasive cleaning agents. Do not use microfiber cloth.

BALL PROTECTION

Products are tested for ball throw safety according to **DIN 18032-3**: Substructure - wood panels min. 57 x 33 mm, center distance max. 500 mm. Forehead joints of the GALLERIA elements are to be executed in the vertical lathing area!



INSTALLATION

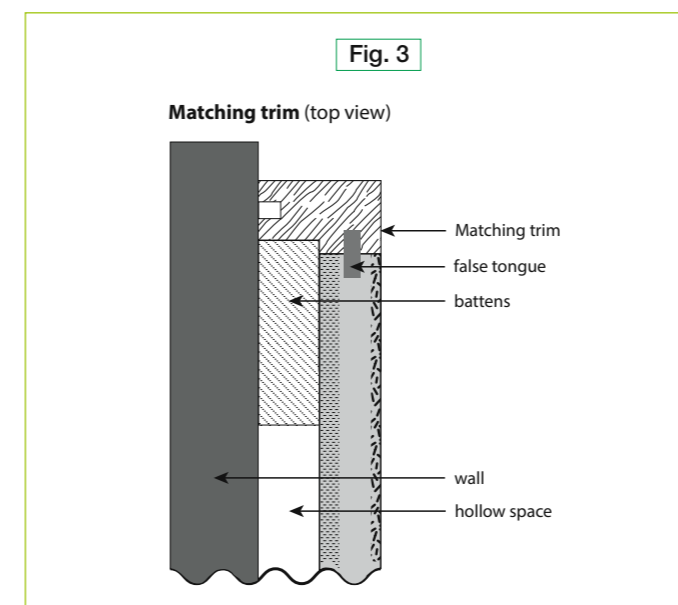
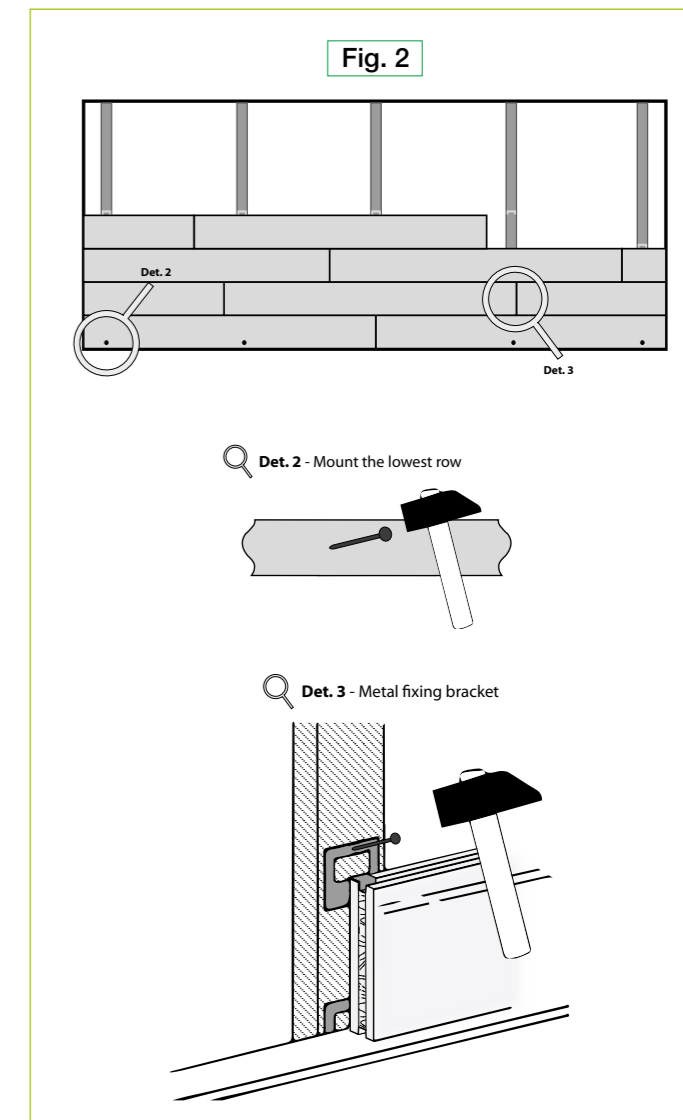
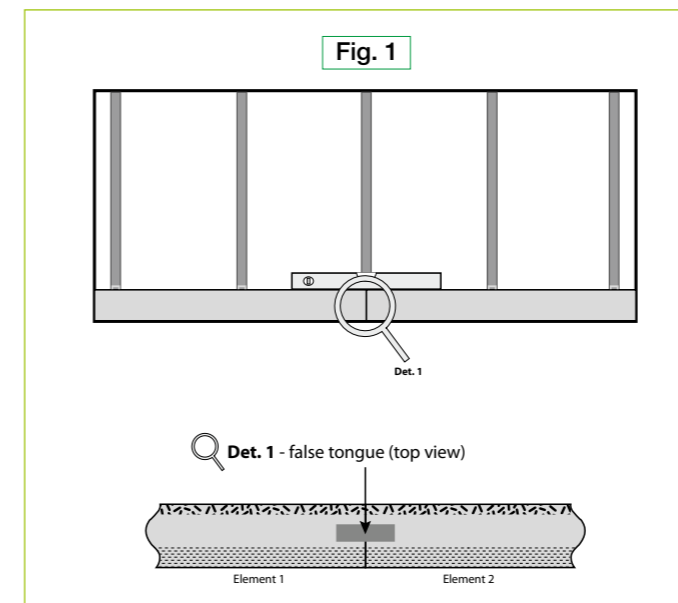
We recommend that the battens be installed crosswise to the Galleria elements (Fig.1) when you install Admonter Galleria on walls. For long-term conformity with the requirements for the room climate, we recommend a batten spacing of 50 cm (middle/middle).

When using Galleria-end strips, make sure that the outmost battens set square with the end strip (Fig. 3). Depending on the room geometry and the expected climate conditions, appropriate expansion joints must be provided on-site. The first row must be aligned exactly horizontally (Fig. 1).

Insert the included external spring from fixing the element in between the forehead joints (Det. 1). Any Galleria-end strip or skirting board that is used must itself counter-balance any uneven places in the floor. Galleria-end-strips can be customised on-site to fit the individual requirement. In the proximity of the lowest row of elements, a mounting adhesive should be applied to the battens. Then the Galleria elements in the first row should be carefully fixed in place using brads in an unnoticeable area in the lower range of section of the elements (Det. 2).

Fix the upper edge in place using brads/clamps and the matching profile clamps (Det. 3). Be especially careful to make sure that the fixing hardware is completely sunk in and no edges are damaged.

After that insert the external springs that were delivered along with it and/or then place the next row of elements and fix in place with profile clamps. The section in the prior row can in each case be used as the start of the following row to the extent that there is a minimum offset of at least 30 cm. Complete the wall surface with the method shown and if needed install the end strip.



ENGLISH

More informations at:
www.admonter.eu/en/downloads

Admonter 
NATURE'S FAVOURITE DESIGNER



MORE
INFORMATIONS AT

www.admonter.eu

ADMONTER

Holzindustrie AG
8911 Admont - Austria

info@admonter.at
www.admonter.eu